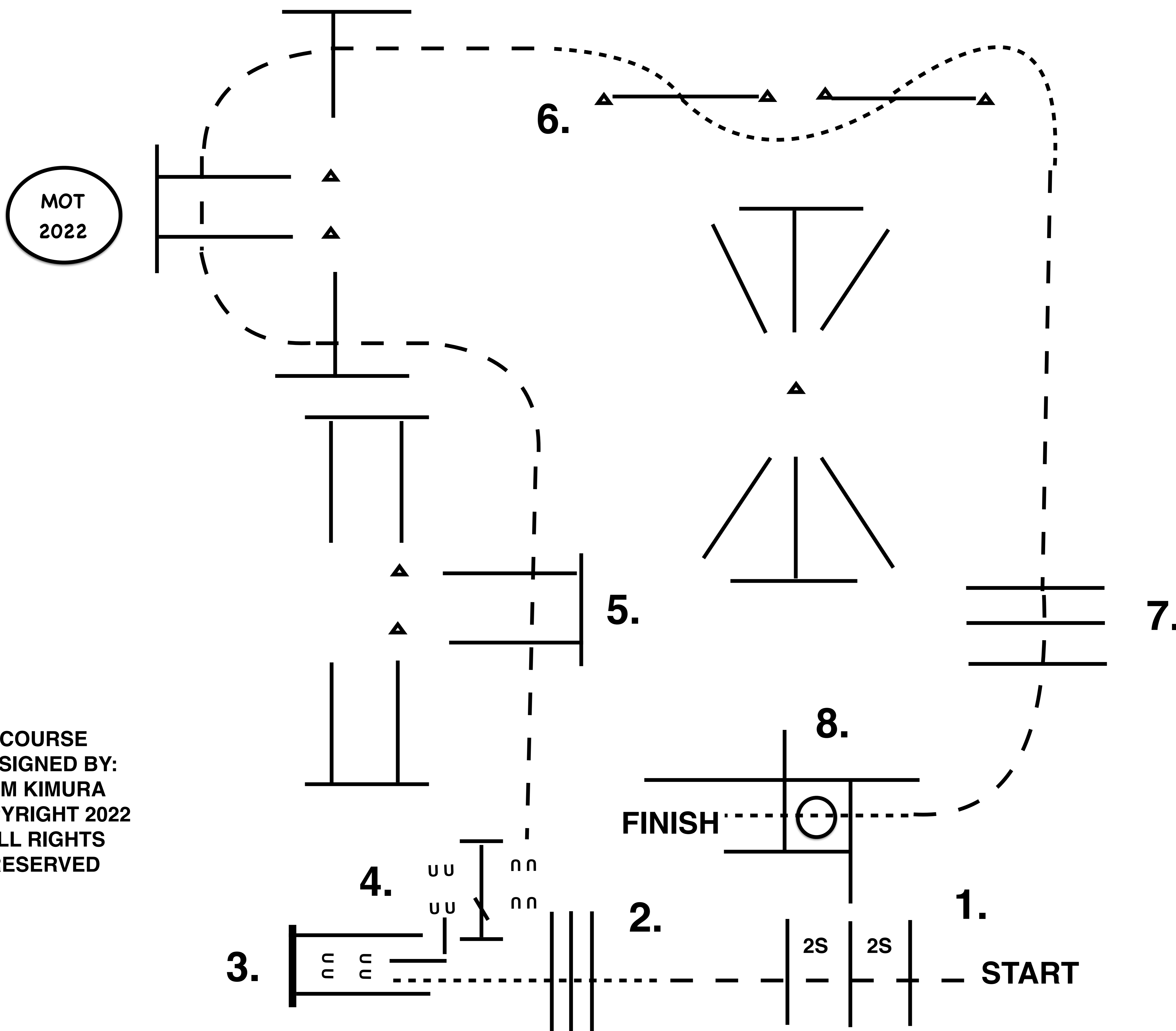


# 2022 DQHA REGIONAL HORSE SHOW

DQHA IN HAND TRAIL  
2 YEAR OLD  
3 YEAR OLD



COURSE  
DESIGNED BY:  
TIM KIMURA  
COPYRIGHT 2022  
ALL RIGHTS  
RESERVED

1. JOG OVER POLES.
2. STOP OR BREAK TO THE WALK,  
WALK OVER POLES AND INTO CHUTE.
3. BACK BETWEEN POLES, BACK TO GATE.
4. WORK GATE LEFT HAND. OPEN/CLOSE.
5. JOG OVER POLES.
6. STOP OR BREAK TO THE WALK, WALK THROUGH SERPENTINE,  
WALK OVER POLES.
7. JOG OVER POLES.
8. STOP OR BREAK TO THE WALK, WALK INTO BOX, EXECUTE A 360  
TURN RIGHT, WALK OUT BOX.