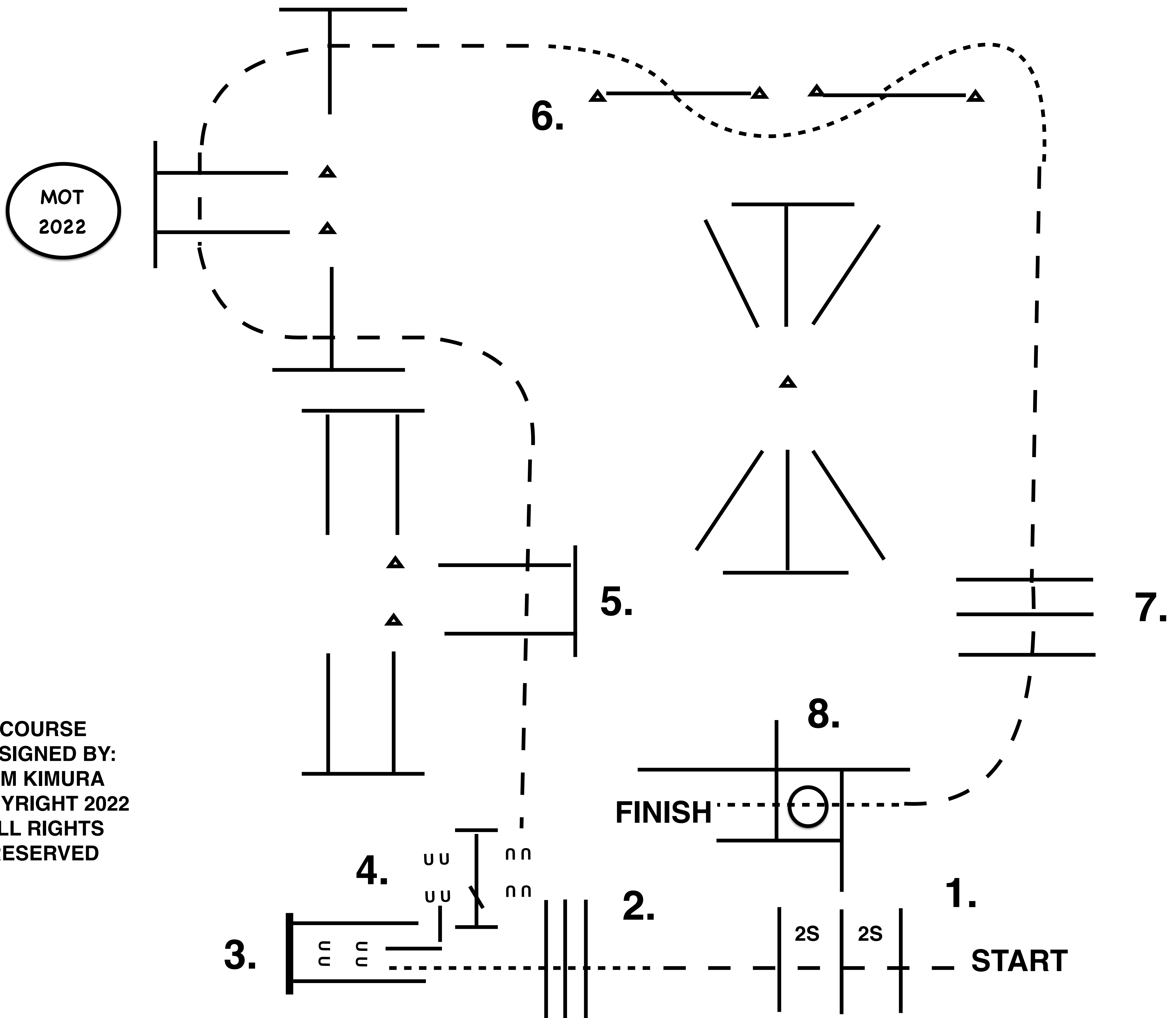


# 2022 DQHA REGIONAL HORSE SHOW

Trail in Hand Jackpt rasseoffen

**DQHA IN HAND TRAIL**  
**2 YEAR OLD**  
**3 YEAR OLD**



COURSE  
 DESIGNED BY:  
 TIM KIMURA  
 COPYRIGHT 2022  
 ALL RIGHTS  
 RESERVED

1. JOG OVER POLES.
2. STOP OR BREAK TO THE WALK,  
WALK OVER POLES AND INTO CHUTE.
3. BACK BETWEEN POLES, BACK TO GATE.
4. WORK GATE LEFT HAND. OPEN/CLOSE.
5. JOG OVER POLES.
6. STOP OR BREAK TO THE WALK, WALK THROUGH SERPENTINE,  
WALK OVER POLES.
7. JOG OVER POLES.
8. STOP OR BREAK TO THE WALK, WALK INTO BOX, EXECUTE A 360  
TURN RIGHT, WALK OUT BOX.